



SASA
Roddinglaw Road
Edinburgh
EH12 9FJ

15th June 2017

Dear Sir/Madam,

SOIL TESTING FOR POTATO CYST NEMATODE (PCN)

FARM: GOGARGREEN

CODE NO: 558/0012

FID NO: NT/17024/71492

Following an application of 7th June 2017, an official soil test for PCN conducted in accordance with paragraphs 1 to 6 of Schedule 15 of the Plant Health (Scotland) Order 2005 as amended by the Plant Health (Scotland) Amendment Order 2010 has been carried out on the sampled units requested on the above field. The results are set out below and the units sampled shown on the map overleaf. These results override any previously issued notices for the units sampled.

Sampled Unit	Area	Date of sampling	Result	<i>Globodera pallida</i>		<i>Globodera rostochiensis</i>	
				Infestation	Intensity	Infestation	Intensity
14184/A	0.1 Ha	08/06/2017	Clear	None	None	None	None
14184/a	0.1 Ha	08/06/2017	Clear	None	None	None	None
14184/B	0.1 Ha	08/06/2017	Clear	None	None	None	None
14184/b	0.1 Ha	08/06/2017	Clear	None	None	None	None
14184/C	0.1 Ha	08/06/2017	Clear	None	None	None	None
14184/c	0.1 Ha	08/06/2017	Infested	None	None	Widespread	Medium
14184/D	0.1 Ha	08/06/2017	Clear	None	None	None	None
14184/d	0.1 Ha	08/06/2017	Clear	None	None	None	None
14184/E	0.1 Ha	08/06/2017	Clear	None	None	None	None
14184/e	0.1 Ha	08/06/2017	Infested	None	None	Widespread	Low
14184/F	0.1 Ha	08/06/2017	Clear	None	None	None	None
14184/f	0.1 Ha	08/06/2017	Infested	None	None	Widespread	Low
14184/G	0.1 Ha	08/06/2017	Infested	None	None	Widespread	Medium
14184/g	0.1 Ha	08/06/2017	Infested	None	None	Widespread	Medium
14184/H	0.1 Ha	08/06/2017	Infested	None	None	Widespread	Medium
14184/h	0.1 Ha	08/06/2017	Infested	None	None	Widespread	Medium
14184/I	0.1 Ha	08/06/2017	Infested	None	None	Widespread	Low
14184/J	0.1 Ha	08/06/2017	Infested	None	None	Widespread	Low
14184/K	0.1 Ha	08/06/2017	Clear	None	None	None	None
14184/L	0.1 Ha	08/06/2017	Clear	None	None	None	None
14184/M	0.1 Ha	08/06/2017	Clear	None	None	None	None
14184/N	0.1 Ha	08/06/2017	Clear	None	None	None	None
14184/O	0.1 Ha	08/06/2017	Clear	None	None	None	None
14184/P	0.1 Ha	08/06/2017	Clear	None	None	None	None
14184/Q	0.1 Ha	08/06/2017	Infested	None	None	Widespread	Low
14184/R	0.1 Ha	08/06/2017	Clear	None	None	None	None
14184/S	0.1 Ha	08/06/2017	Clear	None	None	None	None
14184/T	0.1 Ha	08/06/2017	Infested	None	None	Widespread	Low
14184/U	0.1 Ha	08/06/2017	Clear	None	None	None	None
14184/V	0.1 Ha	08/06/2017	Infested	None	None	Widespread	Medium
14184/W	0.1 Ha	08/06/2017	Clear	None	None	None	None
	0.1 Ha	08/06/2017	Infested	None	None	Widespread	Low

14184/X							
14184/Y	0.1 Ha	08/06/2017	Infested	None	None	Widespread	Low
14184/Z	0.1 Ha	08/06/2017	Infested	None	None	Widespread	Low
14184/[0.1 Ha	08/06/2017	Clear	None	None	None	None
14184/\	0.1 Ha	08/06/2017	Clear	None	None	None	None
14184/]	0.1 Ha	08/06/2017	Infested	None	None	Widespread	Medium
14184/^	0.1 Ha	08/06/2017	Clear	None	None	None	None
14184/_	0.1 Ha	08/06/2017	Infested	None	None	Widespread	Medium
14184/`	0.1 Ha	08/06/2017	Clear	None	None	None	None

CLEARANCE FOR SEED POTATO PRODUCTION (INCLUDING FARM SAVED SEED)

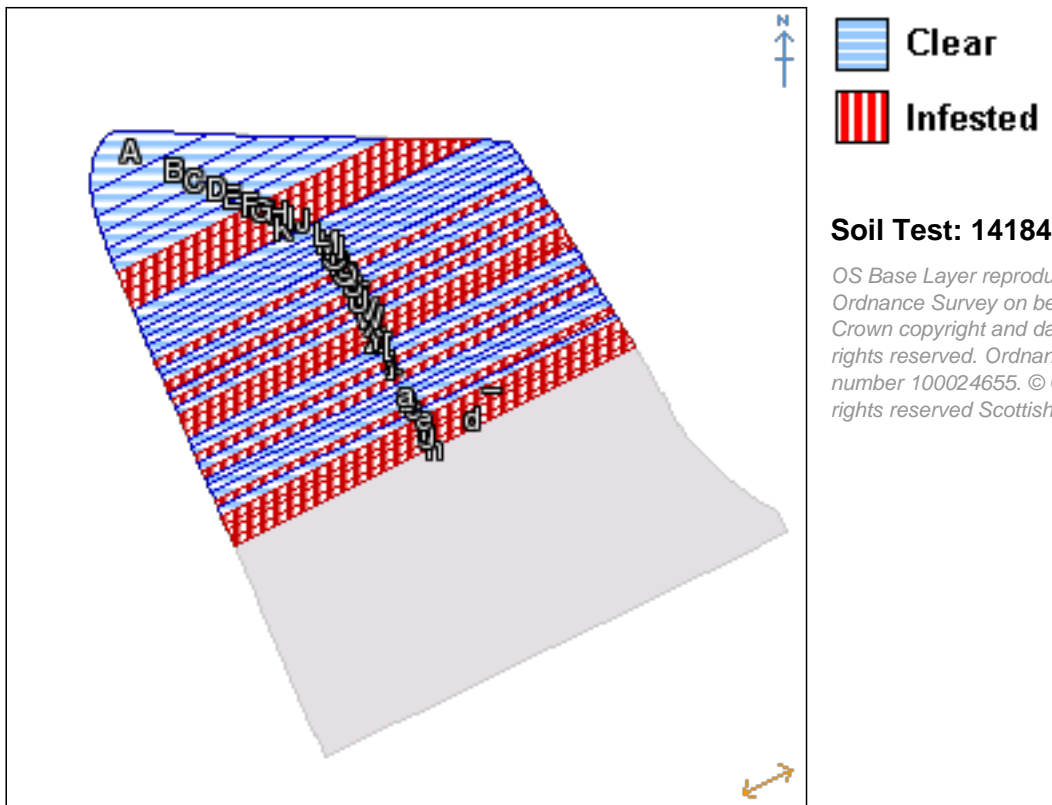
VALID FOR SEASONS 2017 TO 2020

VALID FOR PB PRODUCTION 2017 TO 2020

For sampled units marked "Clear" in the table above, no viable PCN (*Globodera rostochiensis* or *Globodera pallida*) were found in the soil taken from that unit.

IMPORTANT

1. This clearance is valid for the period shown above, or until potatoes are planted in the land, whichever is earlier.
2. If produce from the specified sampled units is to be exported, the importing country may have special requirements in relation to PCN which are not met by this clearance.
3. This clearance may be withdrawn by SASA at any time if PCN are found in the sampled unit or in soil or plant material connected with the sampled unit.



Please find maps with measurements for each individual sample unit appended to the end of this notification.

LAND INFESTED WITH PCN

For sampled units marked Infested in the table overleaf and shown on the map above, live PCN were found in the soil taken from that unit.

No seed potatoes may be grown in this land, for classification or for farm saved seed, until further notice. Ware potatoes may be grown subject to an Official Control Programme.

A Notice is enclosed recording that this land is infested with PCN, and setting out the restrictions which apply to it. **If you wish to return the land to seed potato production, we recommend that you do not plant potatoes until the land has been tested clear from PCN following a de-recording test.**

Information is provided overleaf regarding the extent of the infestation of either species of PCN within the sample unit, based on the proportion of samples within the sample unit in which the species has been recorded:

1. Units with 70% or more of failed samples are classified as having a 'Widespread' PCN infestation;
2. Units with 40% or more but less than 70% of failed samples are classified as having an 'Intermediate' PCN infestation;
3. Units with less than 40% of failed samples are classified as having a 'Localised' PCN infestation.

NB. Since the introduction of the Plant Health (Scotland) Amendment Order 2010, a number of 400 ml samples are taken from each sample unit, based on sampling rates of either 400 ml/ha or 1500ml/ha (see Guidance for PCN Soil Sampling - <http://www.sasa.gov.uk/pcn-soil-testing-documents>).

Information on the intensity (i.e. the population level within a sample) for either species of PCN can be assessed on how quickly DNA is amplified in the test used. The lower the number of cycles (or DNA amplification steps) used, the higher the initial DNA concentration:

1. If the number of cycles (CT values) is below 25 the infestation is classified as of 'High' intensity;
2. Infestations with CT values in the range of 25-29 are classified as of 'Medium' intensity;
3. Infestations with CT values in the range of 30-35 are classified as of 'Low' intensity.

NB. Where more than one sample from a sample unit tests positive, the intensity reported will be assessed based on the lowest CT value reported, i.e. the highest PCN intensity.

If you have any questions about these results, please contact me using the contact details given below.

Yours faithfully

██████████
SPCS Administration

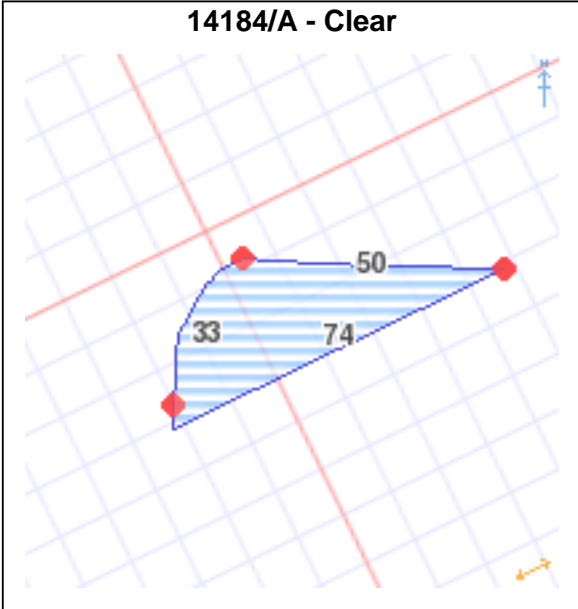
T: 0131 244 8963

F: 0131 244 8920

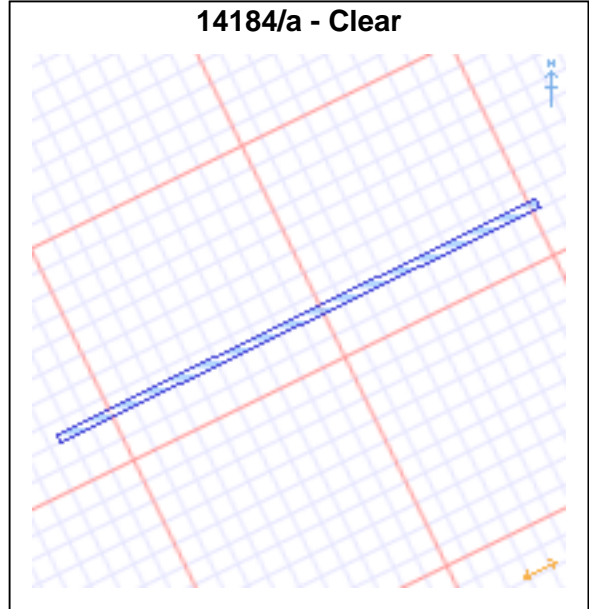
E: ██████████@sasa.gsi.gov.uk

Sample Units (major grid: 100m, minor grid: 10m)

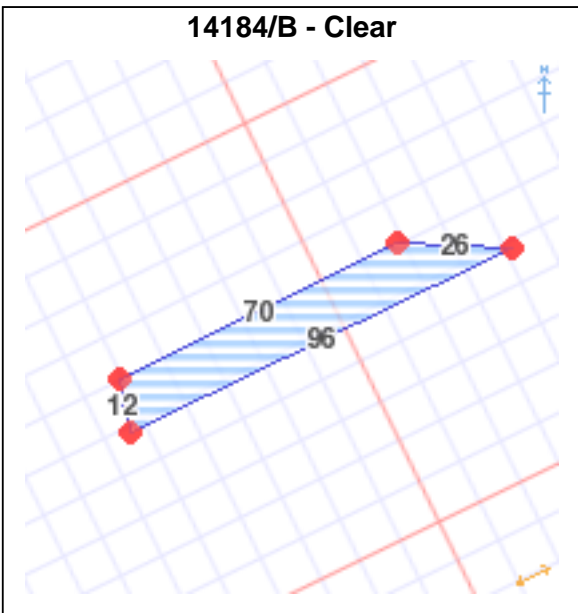
14184/A - Clear



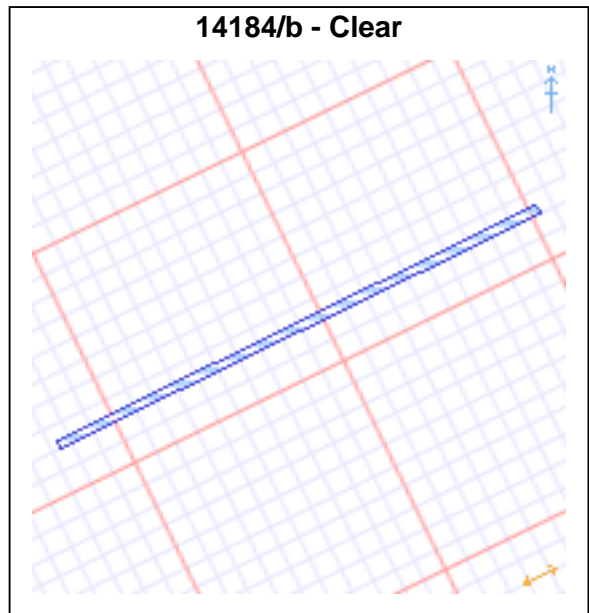
14184/a - Clear



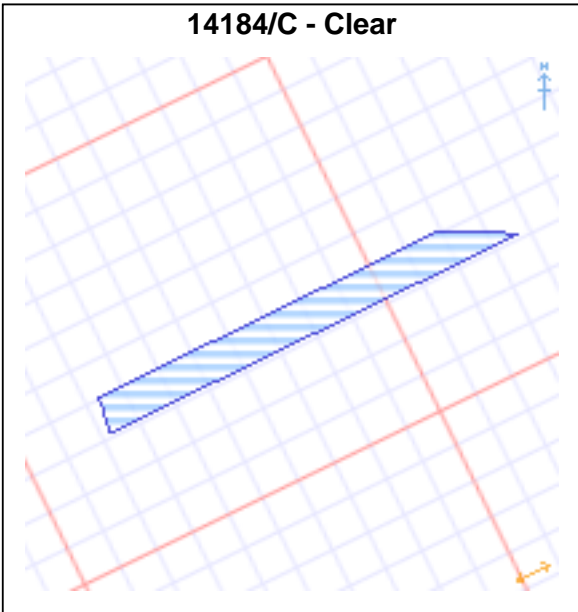
14184/B - Clear



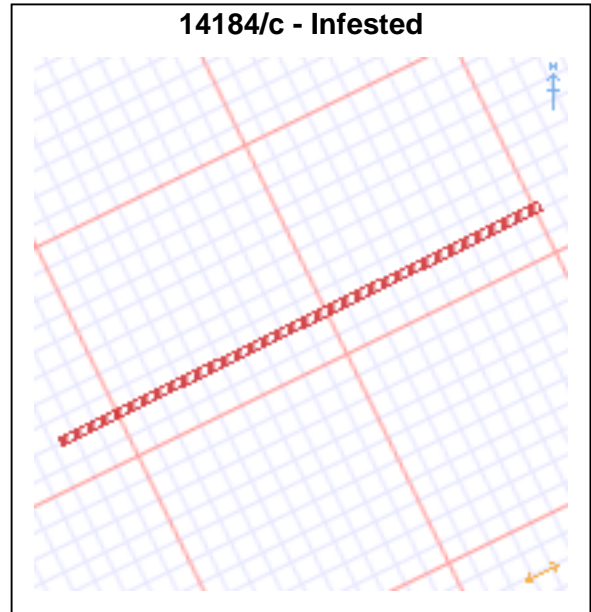
14184/b - Clear



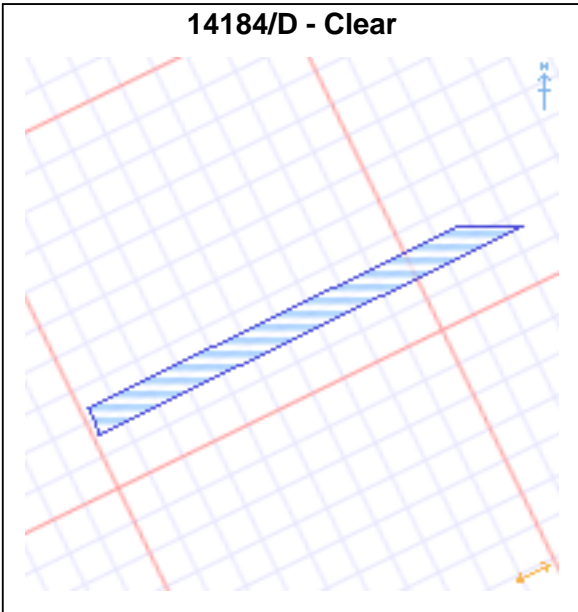
14184/C - Clear



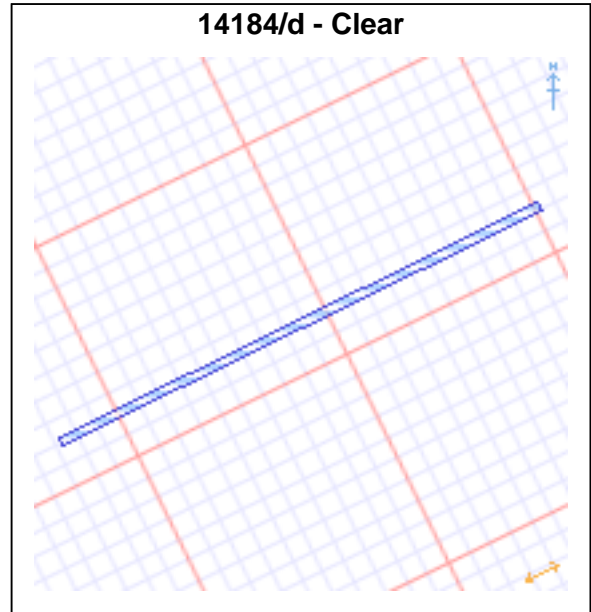
14184/c - Infested



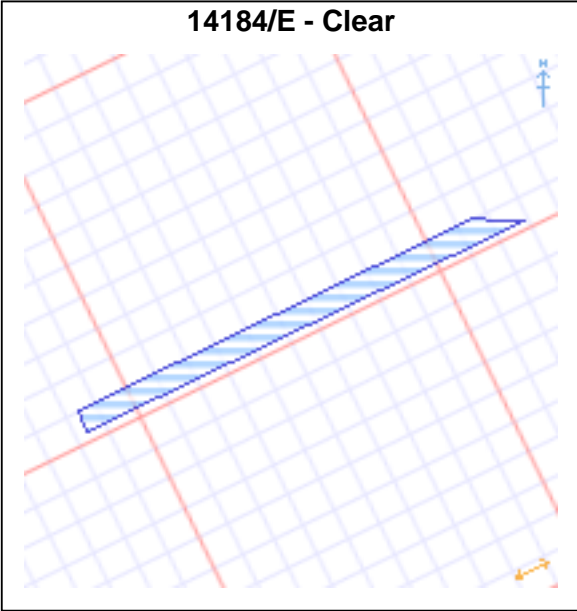
14184/D - Clear



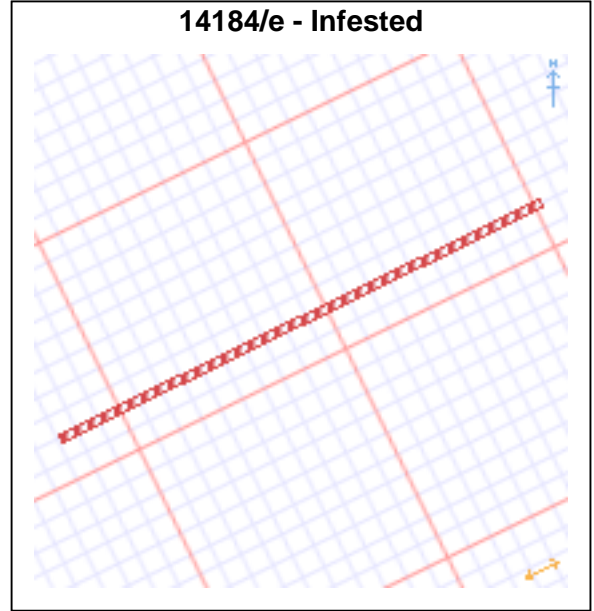
14184/d - Clear



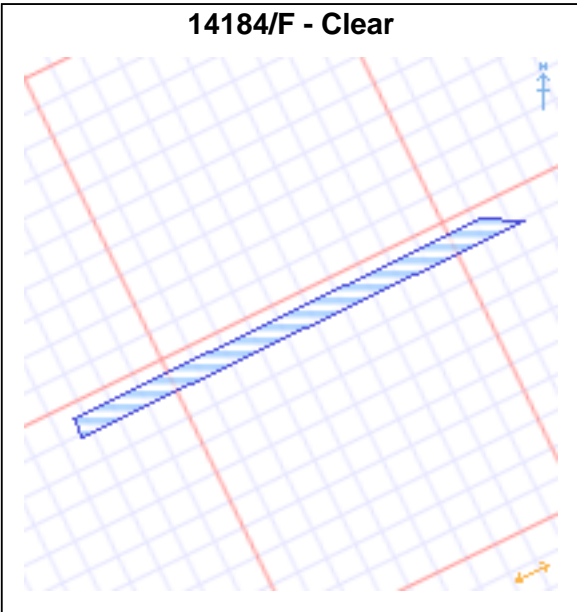
14184/E - Clear



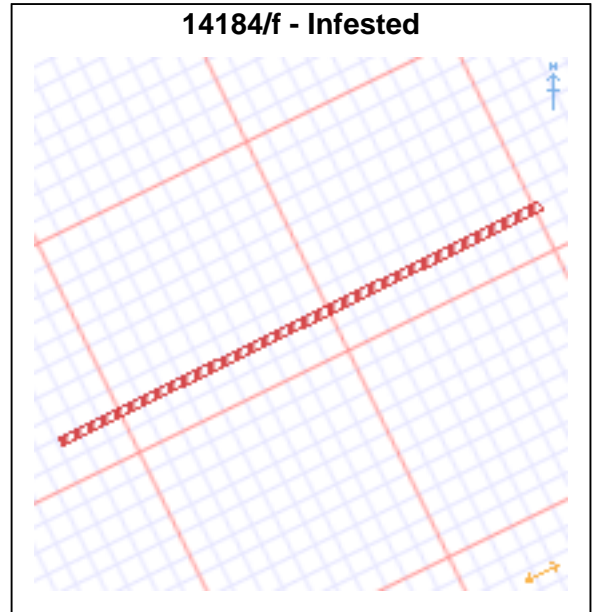
14184/e - Infested



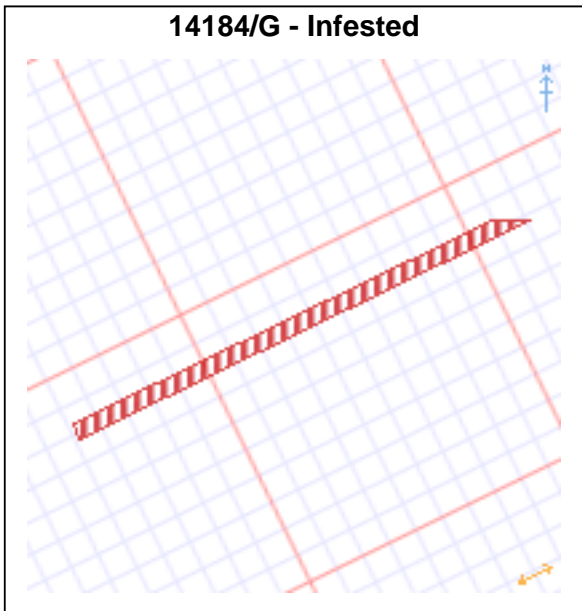
14184/F - Clear



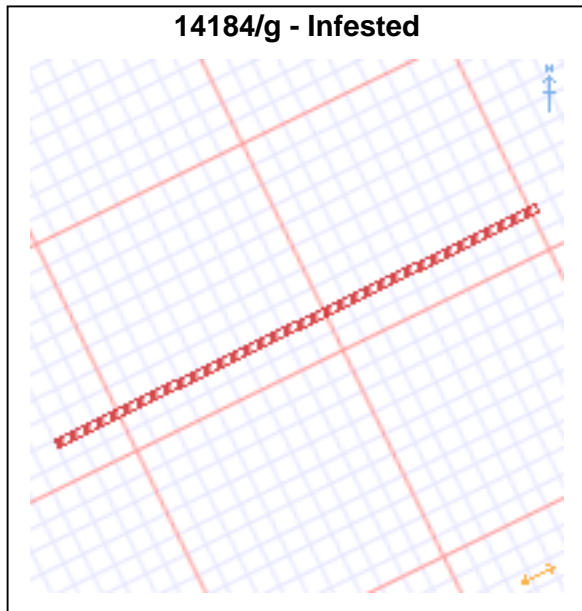
14184/f - Infested



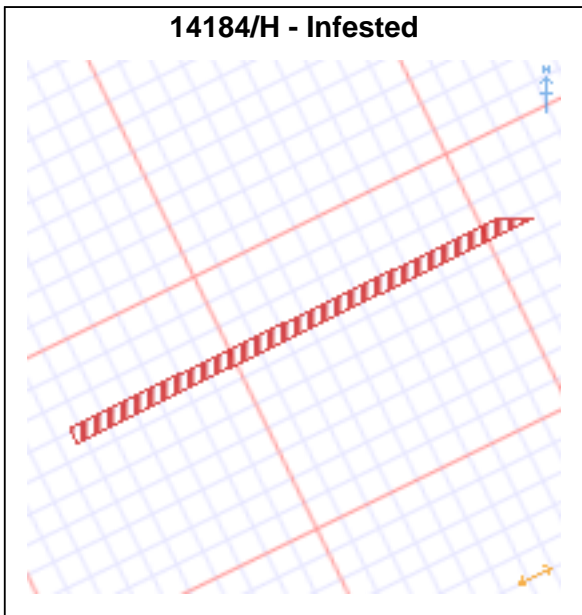
14184/G - Infested



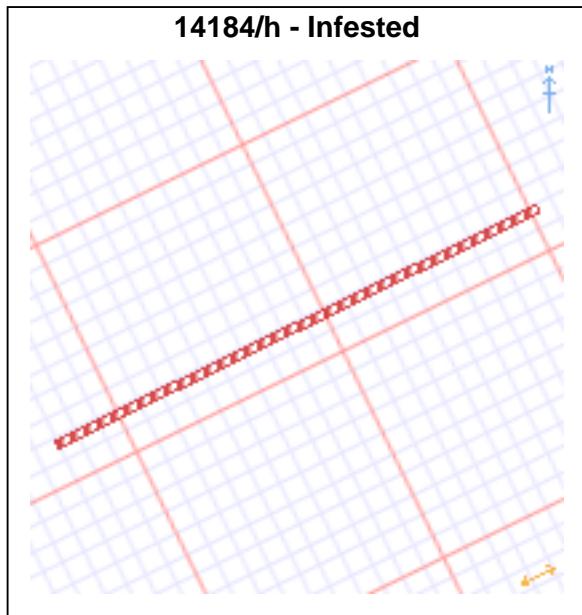
14184/g - Infested



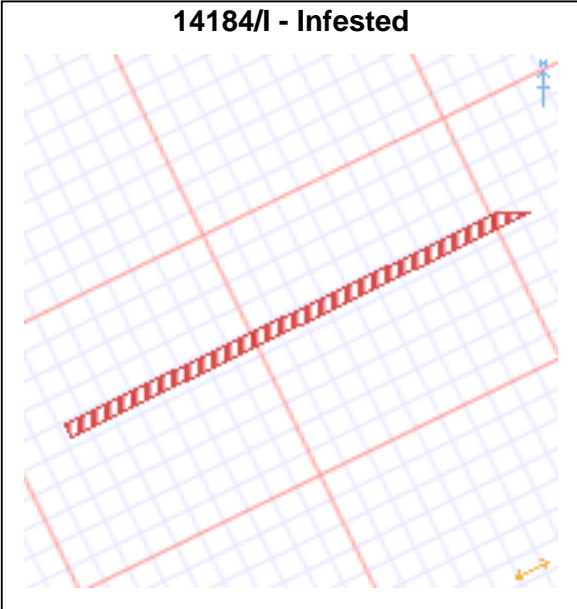
14184/H - Infested



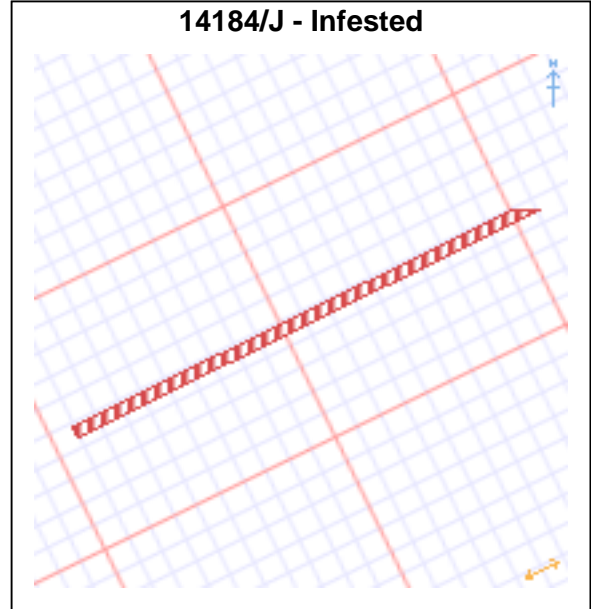
14184/h - Infested



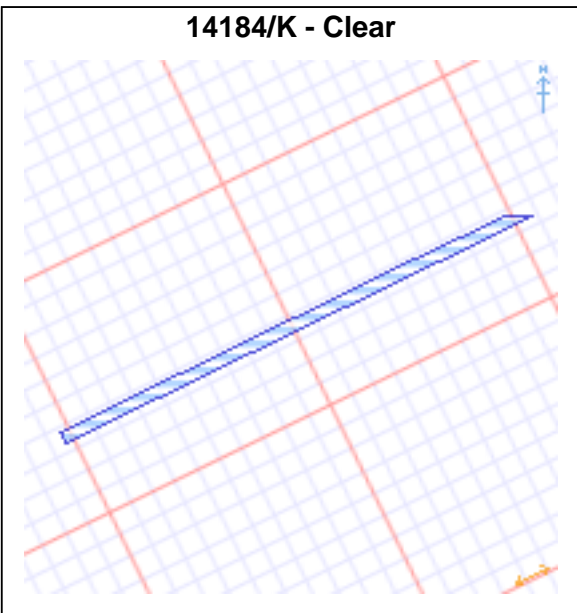
14184/I - Infested



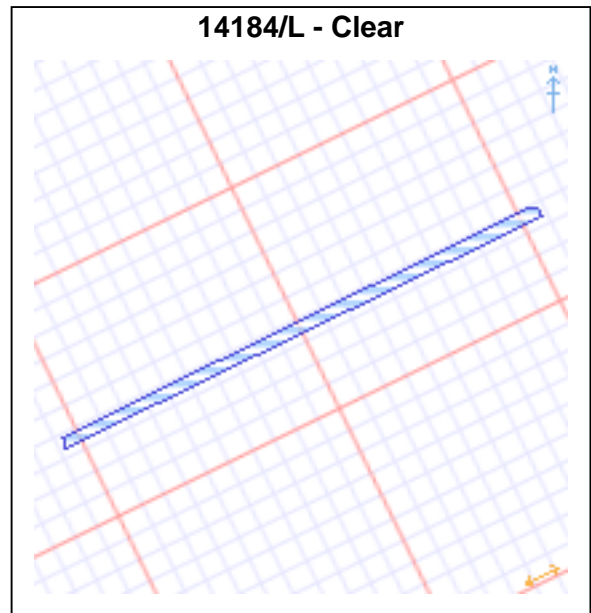
14184/J - Infested



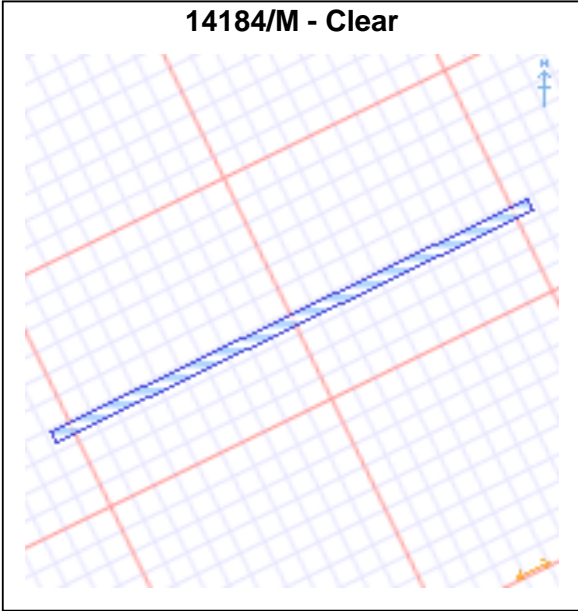
14184/K - Clear



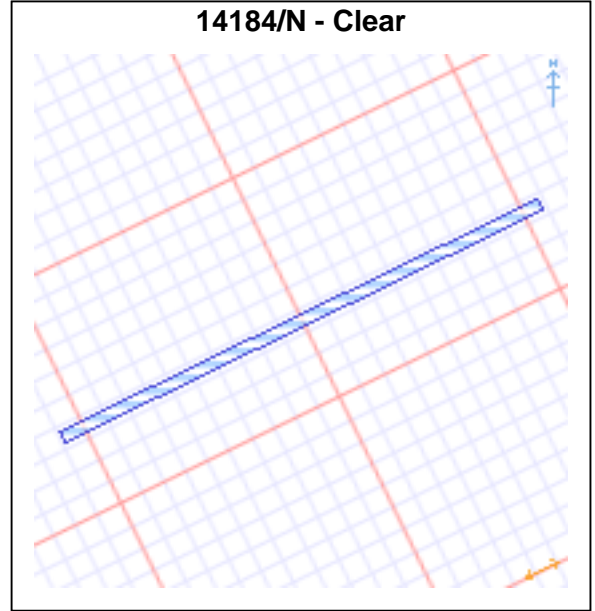
14184/L - Clear



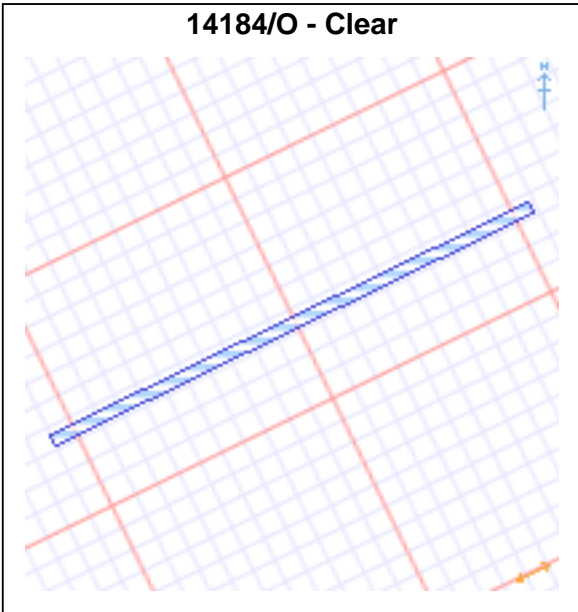
14184/M - Clear



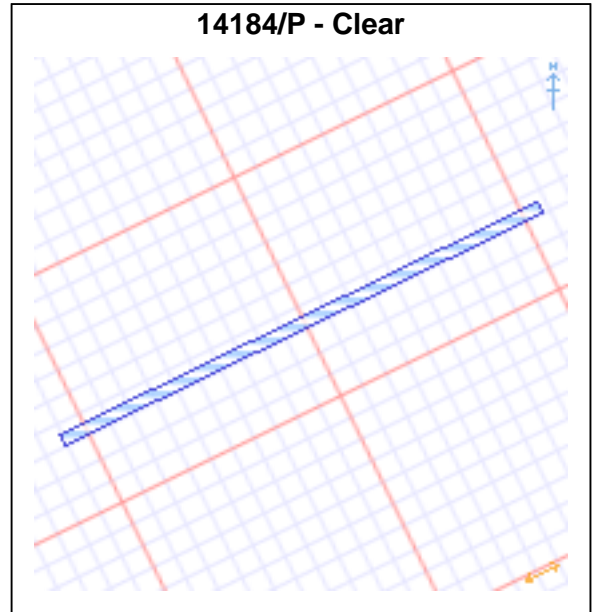
14184/N - Clear



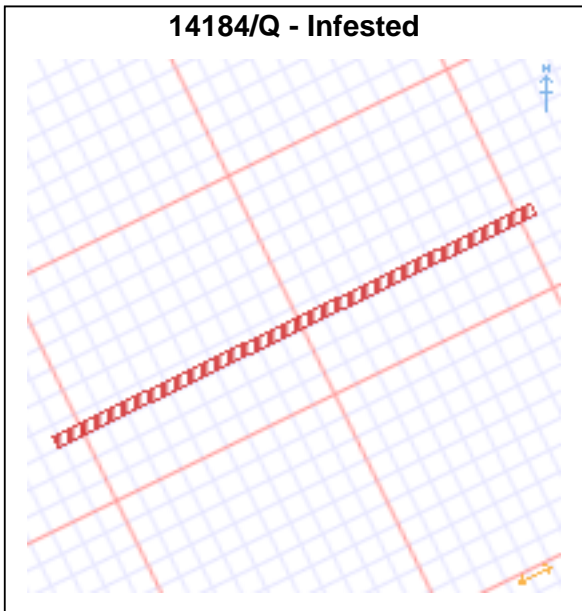
14184/O - Clear



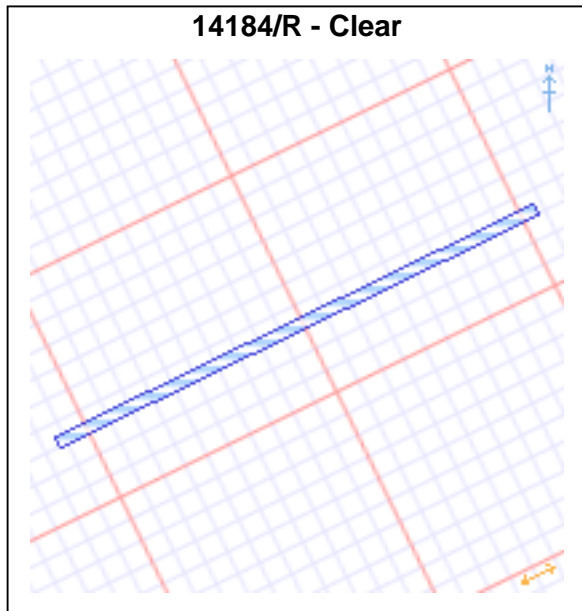
14184/P - Clear



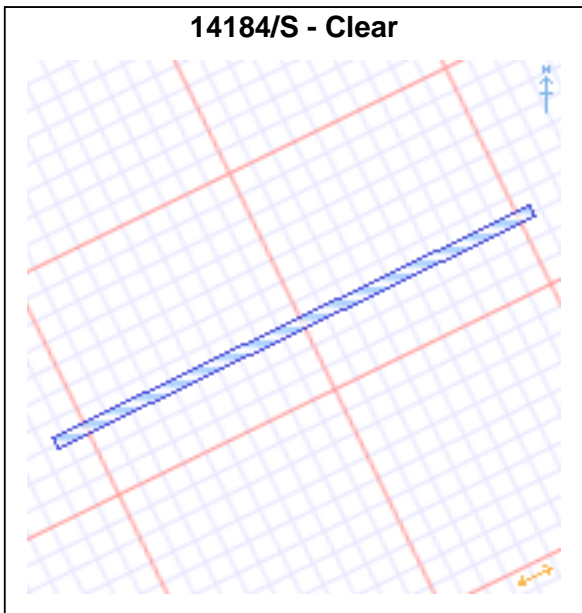
14184/Q - Infested



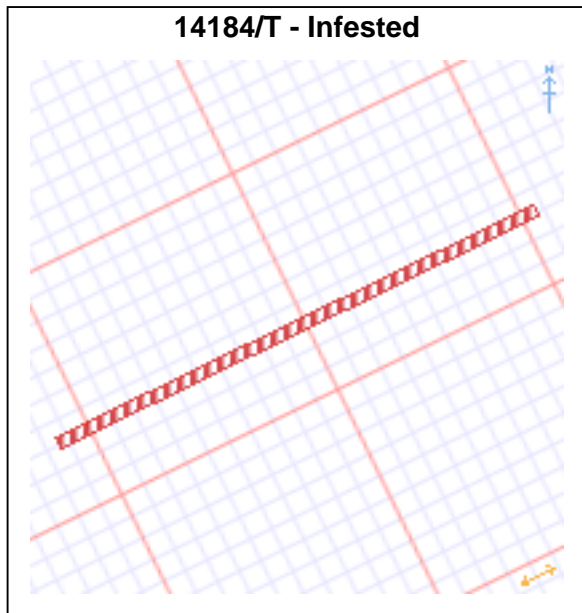
14184/R - Clear



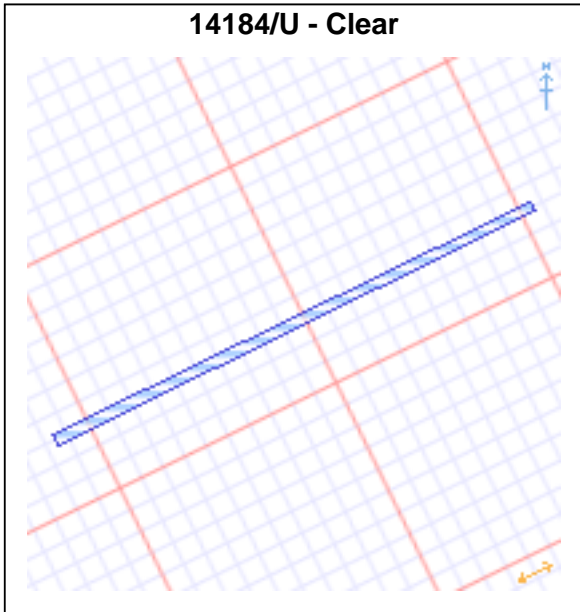
14184/S - Clear



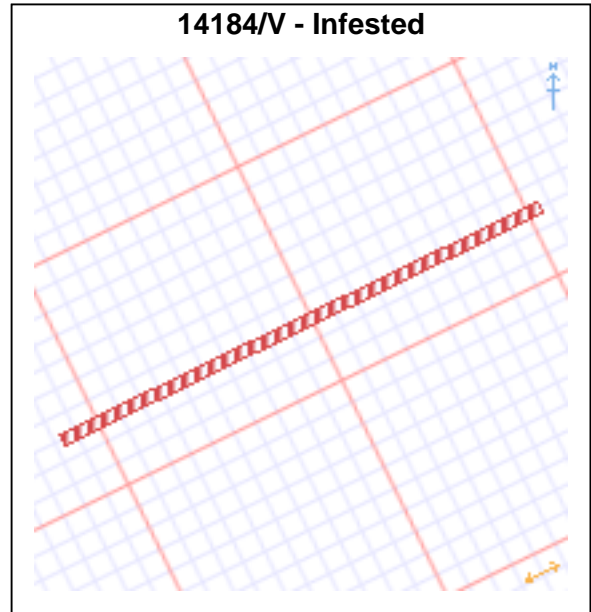
14184/T - Infested



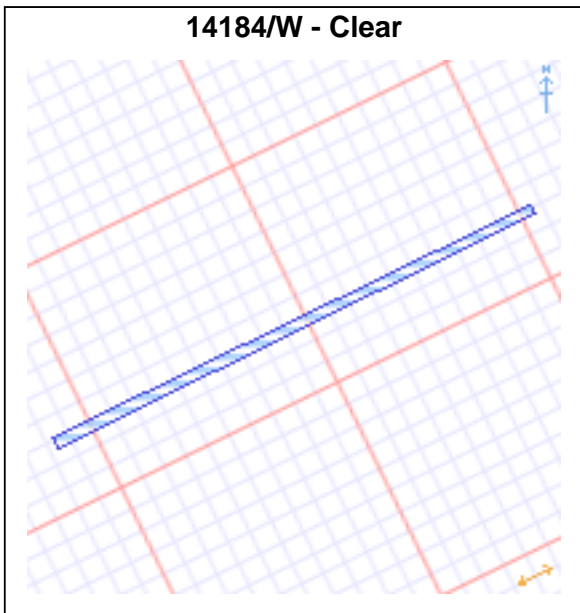
14184/U - Clear



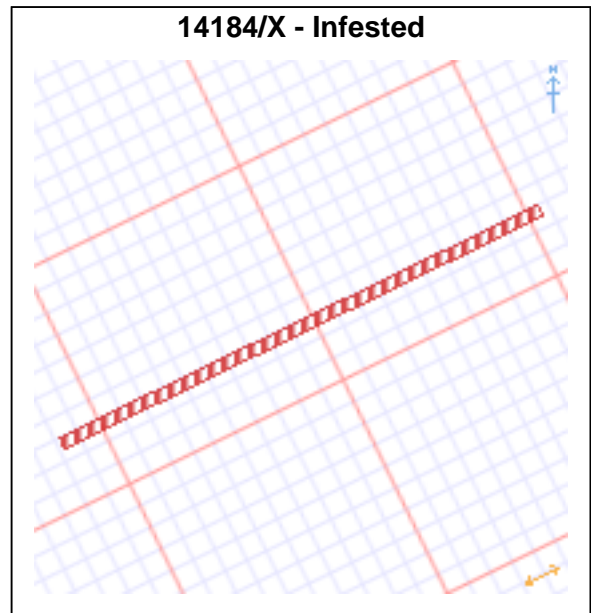
14184/V - Infested



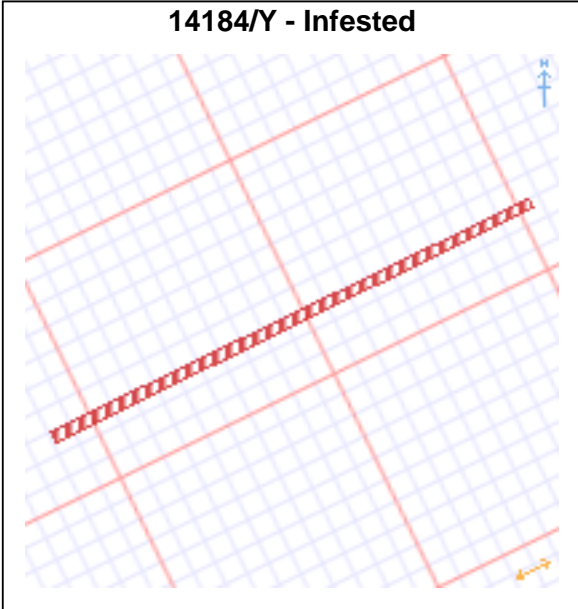
14184/W - Clear



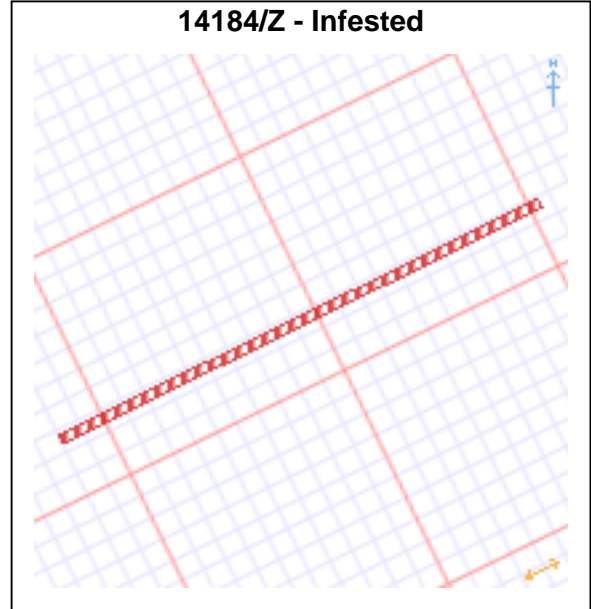
14184/X - Infested



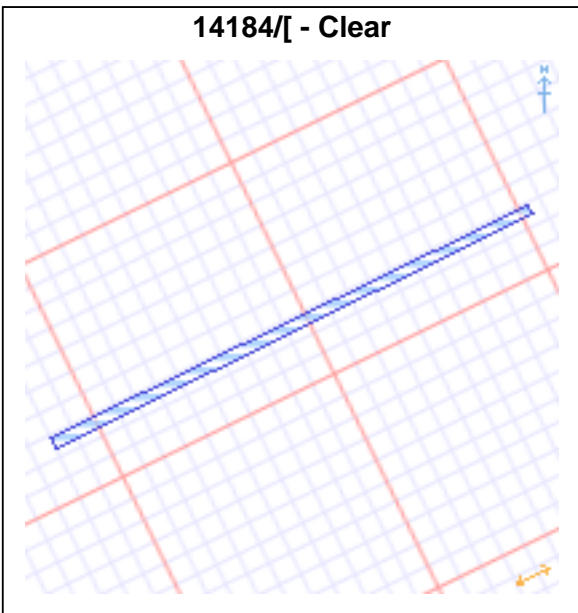
14184/Y - Infested



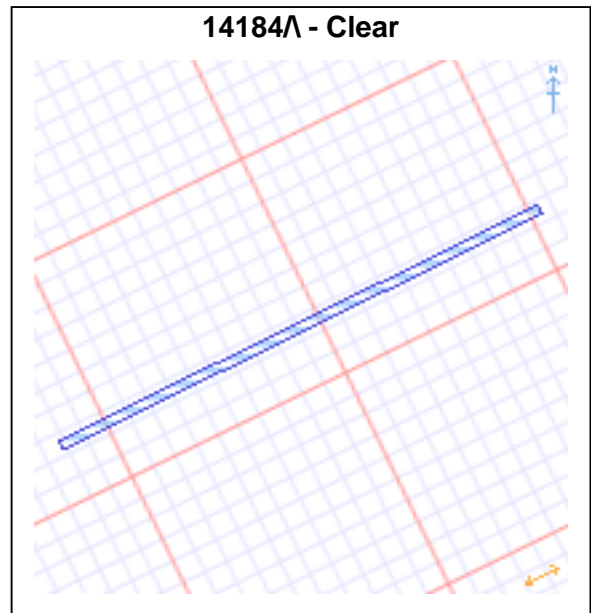
14184/Z - Infested



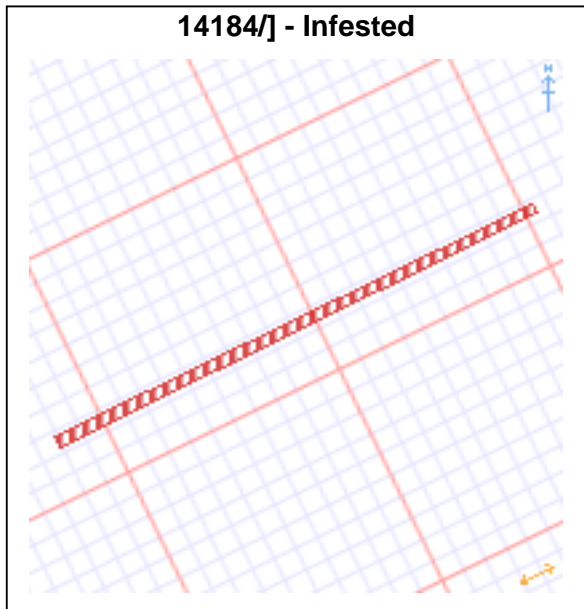
14184/[- Clear



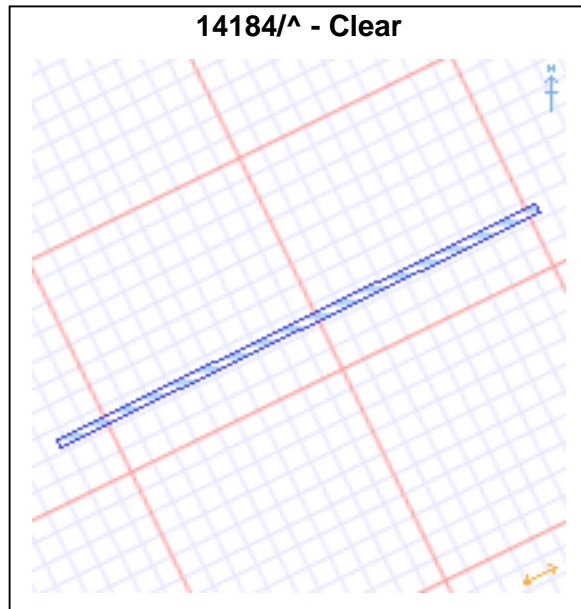
14184/\ - Clear



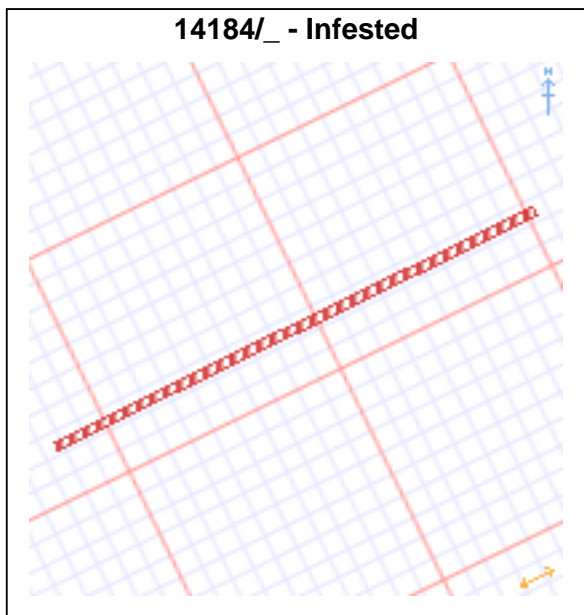
14184/] - Infested



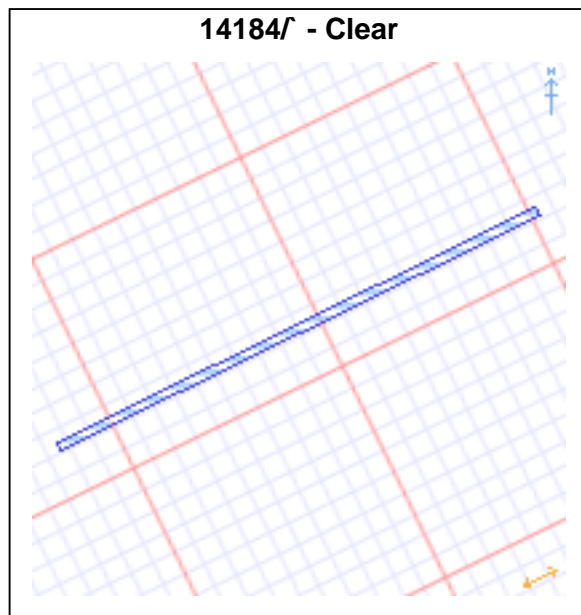
14184/^ - Clear



14184/_ - Infested



14184/ - Clear



15th June 2017

NOTICE

Served under paragraph 7(a) of Schedule 15 of the Plant Health (Scotland) Order 2005

LAND RECORDED AS INFESTED WITH POTATO CYST NEMATODE (PCN)

To: SASA

of: Roddinglaw Road, Edinburgh, EH12 9FJ

or other person occupying or in charge of the land referred to below.

In accordance with paragraph 7(a) of Schedule 15 to the Plant Health (Scotland) Order 2005, as amended by the Plant Health (Scotland) Amendment Order 2010, **I give you notice** that the sampling units described below and shown on the enclosed map are **officially recorded as infested with PCN**, following an official soil test, completed on 15/06/2017 in which PCN of the species *Globodera rostochiensis* was found in soil taken from the sampling units.

Farm code number:	558/0012	Field identification no.:	NT/17024/71492
Farm name:	GOGARGREEN	Sampled unit:	14184/c
		Sampled unit:	14184/e
		Sampled unit:	14184/f
		Sampled unit:	14184/G
		Sampled unit:	14184/g
		Sampled unit:	14184/H
		Sampled unit:	14184/h
		Sampled unit:	14184/l
		Sampled unit:	14184/J
		Sampled unit:	14184/Q
		Sampled unit:	14184/T
		Sampled unit:	14184/V
		Sampled unit:	14184/X
		Sampled unit:	14184/Y
		Sampled unit:	14184/Z
		Sampled unit:	14184/]
		Sampled unit:	14184/_
		Area:	1.7 Ha

The following restrictions apply to the sampled unit(s) described above:

- no potatoes may be planted in the sampled unit;
- no plants listed in table A overleaf, intended for replanting, may be planted or stored in the sampled unit;
- no plants listed in table B overleaf, intended for replanting, may be planted in the sampling unit unless they are to be washed or brushed until practically free of soil so that there is, to the satisfaction of an inspector, no identifiable risk of PCN spreading; and

d)

no plants listed in table C overleaf may be planted in the sampled unit.

This Notice remains in force until revoked by a further Notice in writing.

Ware potatoes may only be grown in the land referred to above if authorised by an inspector by a further notice in writing.

Signature

(an inspector authorised by Scottish Ministers)
SASA, Roddinglaw Road, Edinburgh EH12 9FJ

Date: 15th June 2017

PLANTS SUBJECT TO RESTRICTIONS, IN ADDITION TO POTATOES

These tables reproduce those contained in Schedule 15A of the Plant Health (Scotland) Order 2005, inserted by Schedule 2 of the Plant Health (Scotland) Amendment Order 2010.

Table A

Host plants with roots:	<i>Capsicum</i> spp.,
	<i>Lycopersicon lycopersicum</i> (L.) Karsten ex Farw.,
	<i>Solanum melongena</i> L.

Table B

Other plants with roots:	<i>Allium porrum</i> L.,
	<i>Beta vulgaris</i> L.,
	<i>Brassica</i> spp.,
	<i>Fragaria</i> L.,
	<i>Asparagus officinalis</i> L.

Table C

Bulbs, tubers and rhizomes, not washed or brushed until practically free of soil so that there is no identifiable risk of Potato Cyst Nematode spreading, grown in soil and intended for planting, other than those for which there shall be evidence by their packaging or by other means that they are intended for sale to final consumers not involved in professional plant or cut flower production:	<i>Allium ascalonicum</i> L.,
	<i>Allium cepa</i> L.,
	<i>Dahlia</i> spp.,
	<i>Gladiolus</i> Tourn. Ex L.,
	<i>Hyacinthus</i> spp.,
	<i>Iris</i> spp.,
	<i>Lilium</i> spp.,
	<i>Narcissus</i> L.,
<i>Tulips</i> L.	

Growing ware potatoes on infested land

An inspector may authorise, by a further Notice in writing, the production of ware potatoes in the sampled unit, in accordance with the terms of the Official Control Programme guidance published by SASA in May 2010. A copy of this guidance is available at www.scotland.gov.uk/potatocystnematode and will be sent to you on request from SPCS Admin. Please contact your local Area Office to discuss your proposals.

SASA
Roddinglaw Road
Edinburgh
EH12 9FJ

15th June 2017

Dear Sir/Madam,

SOIL TESTING FOR POTATO CYST NEMATODE (PCN)

FARM: GOGARGREEN

CODE NO: 558/0012

FID NO: NT/17024/71492

Following an application of 7th June 2017, an official soil test for PCN conducted in accordance with paragraphs 1 to 6 of Schedule 15 of the Plant Health (Scotland) Order 2005 as amended by the Plant Health (Scotland) Amendment Order 2010 has been carried out on the sampled units requested on the above field. The results are set out below and the units sampled shown on the map overleaf. These results override any previously issued notices for the units sampled.

Sampled Unit	Area	Date of sampling	Result	<i>Globodera pallida</i>		<i>Globodera rostochiensis</i>	
				Infestation	Intensity	Infestation	Intensity
14185/A	0.1 Ha	08/06/2017	Infested	None	None	Widespread	Medium
14185/B	0.1 Ha	08/06/2017	Clear	None	None	None	None
14185/C	0.1 Ha	08/06/2017	Infested	None	None	Widespread	Low
14185/D	0.1 Ha	08/06/2017	Infested	None	None	Widespread	Medium
14185/E	0.1 Ha	08/06/2017	Infested	None	None	Widespread	Medium
14185/F	0.1 Ha	08/06/2017	Clear	None	None	None	None
14185/G	0.1 Ha	08/06/2017	Infested	None	None	Widespread	Low
14185/H	0.1 Ha	08/06/2017	Clear	None	None	None	None
14185/I	0.1 Ha	08/06/2017	Infested	None	None	Widespread	Low
14185/J	0.1 Ha	08/06/2017	Infested	None	None	Widespread	Medium
14185/K	0.1 Ha	08/06/2017	Clear	None	None	None	None
14185/L	0.1 Ha	08/06/2017	Clear	None	None	None	None
14185/M	0.1 Ha	08/06/2017	Infested	None	None	Widespread	Low
14185/N	0.1 Ha	08/06/2017	Clear	None	None	None	None
14185/O	0.1 Ha	08/06/2017	Clear	None	None	None	None
14185/P	0.1 Ha	08/06/2017	Clear	None	None	None	None
14185/Q	0.1 Ha	08/06/2017	Clear	None	None	None	None
14185/R	0.1 Ha	08/06/2017	Clear	None	None	None	None
14185/S	0.1 Ha	08/06/2017	Clear	None	None	None	None
14185/T	0.1 Ha	08/06/2017	Clear	None	None	None	None
14185/U	0.1 Ha	08/06/2017	Infested	None	None	Widespread	Medium
14185/V	0.1 Ha	08/06/2017	Clear	None	None	None	None
14185/W	0.1 Ha	08/06/2017	Clear	None	None	None	None
14185/X	0.1 Ha	08/06/2017	Clear	None	None	None	None
14185/Y	0.1 Ha	08/06/2017	Clear	None	None	None	None
14185/Z	0.1 Ha	08/06/2017	Clear	None	None	None	None
14185/[0.1 Ha	08/06/2017	Clear	None	None	None	None
14185/\	0.1 Ha	08/06/2017	Clear	None	None	None	None
14185/]	0.1 Ha	08/06/2017	Clear	None	None	None	None
14185/^	0.1 Ha	08/06/2017	Clear	None	None	None	None

CLEARANCE FOR SEED POTATO PRODUCTION (INCLUDING FARM SAVED SEED)

VALID FOR SEASONS 2017 TO 2020

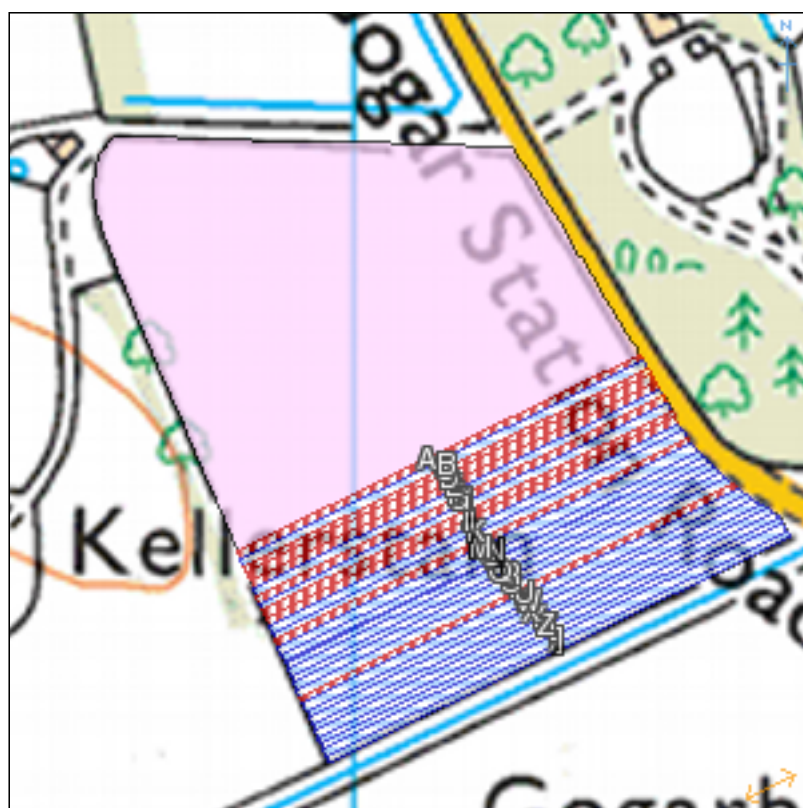
VALID FOR PB PRODUCTION 2017 TO 2020

For sampled units marked "Clear" in the table above, no viable PCN (*Globodera rostochiensis* or *Globodera pallida*) were found in the soil taken from that unit.

IMPORTANT

1. This clearance is valid for the period shown above, or until potatoes are planted in the land, whichever is earlier.

2. If produce from the specified sampled units is to be exported, the importing country may have special requirements in relation to PCN which are not met by this clearance.
3. This clearance may be withdrawn by SASA at any time if PCN are found in the sampled unit or in soil or plant material connected with the sampled unit.



Soil Test: 14185

OS Base Layer reproduced by permission of Ordnance Survey on behalf of HMSO. © Crown copyright and database right 2017. All rights reserved. Ordnance Survey Licence number 100024655. © Crown copyright. All rights reserved Scottish Government 2017.

Please find maps with measurements for each individual sample unit appended to the end of this notification.

LAND INFESTED WITH PCN

For sampled units marked Infested in the table overleaf and shown on the map above, live PCN were found in the soil taken from that unit.

No seed potatoes may be grown in this land, for classification or for farm saved seed, until further notice. Ware potatoes may be grown subject to an Official Control Programme.

A Notice is enclosed recording that this land is infested with PCN, and setting out the restrictions which apply to it. **If you wish to return the land to seed potato production, we recommend that you do not plant potatoes until the land has been tested clear from PCN following a de-recording test.**

Information is provided overleaf regarding the extent of the infestation of either species of PCN within the sample unit, based on the proportion of samples within the sample unit in which the species has been recorded:

1. Units with 70% or more of failed samples are classified as having a 'Widespread' PCN infestation;
2. Units with 40% or more but less than 70% of failed samples are classified as having an 'Intermediate' PCN infestation;

3. Units with less than 40% of failed samples are classified as having a 'Localised' PCN infestation.

NB. Since the introduction of the Plant Health (Scotland) Amendment Order 2010, a number of 400 ml samples are taken from each sample unit, based on sampling rates of either 400 ml/ha or 1500ml/ha (see Guidance for PCN Soil Sampling - <http://www.sasa.gov.uk/pcn-soil-testing-documents>). Information on the intensity (i.e. the population level within a sample) for either species of PCN can be assessed on how quickly DNA is amplified in the test used. The lower the number of cycles (or DNA amplification steps) used, the higher the initial DNA concentration:

1. If the number of cycles (CT values) is below 25 the infestation is classified as of 'High' intensity;
2. Infestations with CT values in the range of 25-29 are classified as of 'Medium' intensity;
3. Infestations with CT values in the range of 30-35 are classified as of 'Low' intensity.

NB. Where more than one sample from a sample unit tests positive, the intensity reported will be assessed based on the lowest CT value reported, i.e. the highest PCN intensity.

If you have any questions about these results, please contact me using the contact details given below.

Yours faithfully

JOHN ELLICOTT

SPCS Administration

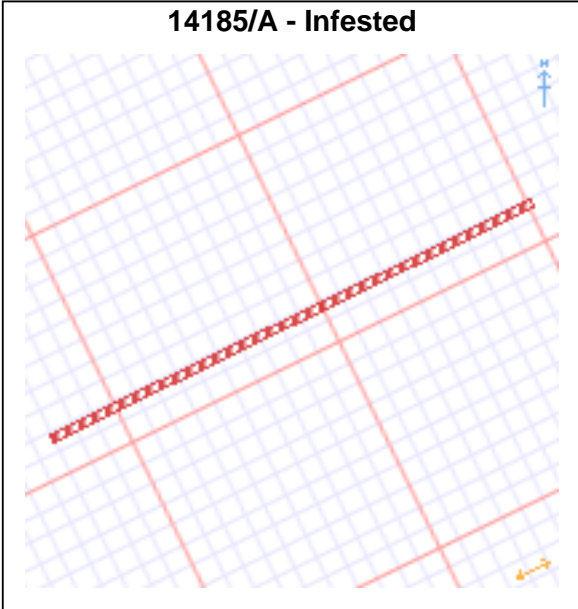
T: 0131 244 8963

F: 0131 244 8920

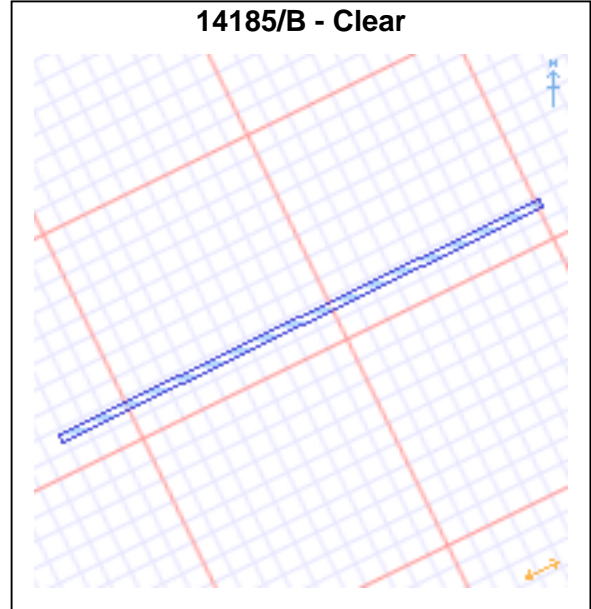
E: John.Ellcott@sasa.gsi.gov.uk

Sample Units (major grid: 100m, minor grid: 10m)

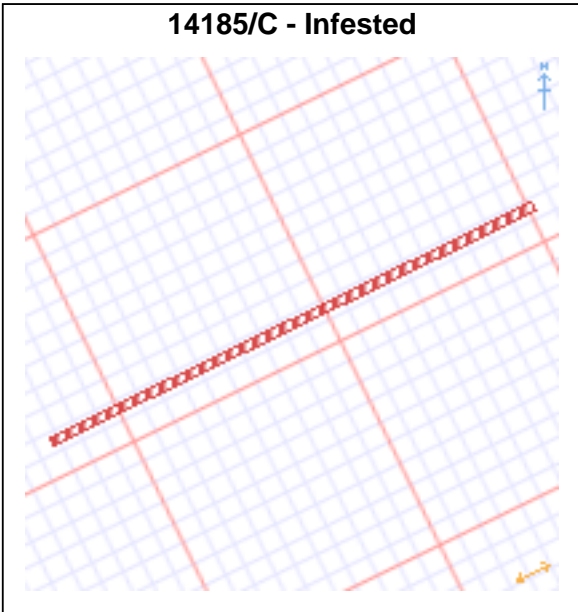
14185/A - Infested



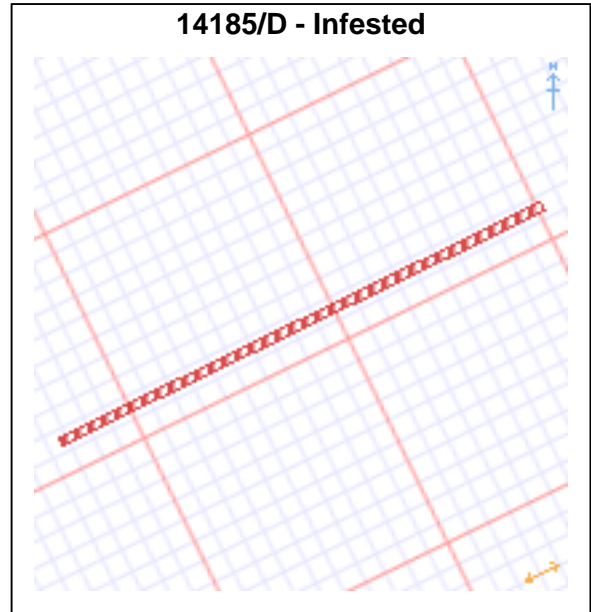
14185/B - Clear



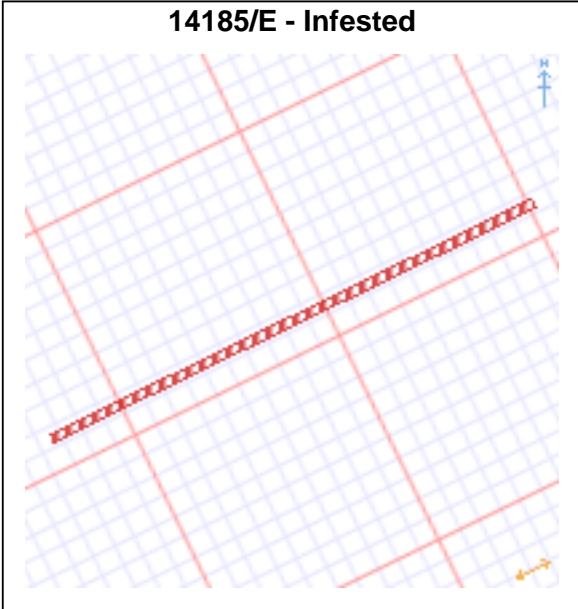
14185/C - Infested



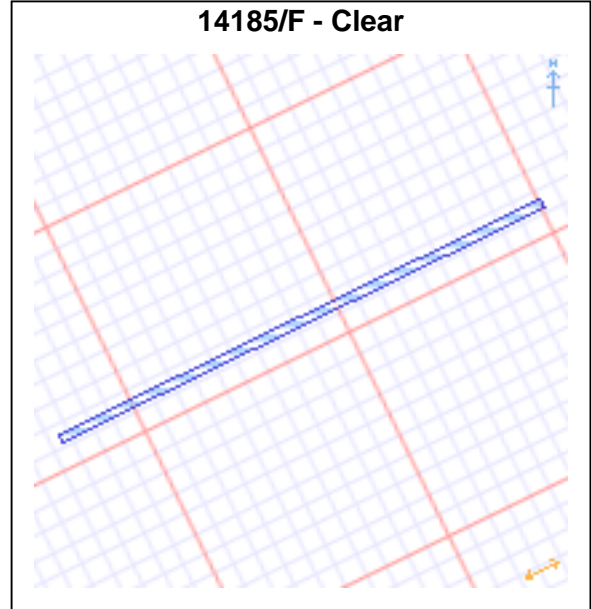
14185/D - Infested



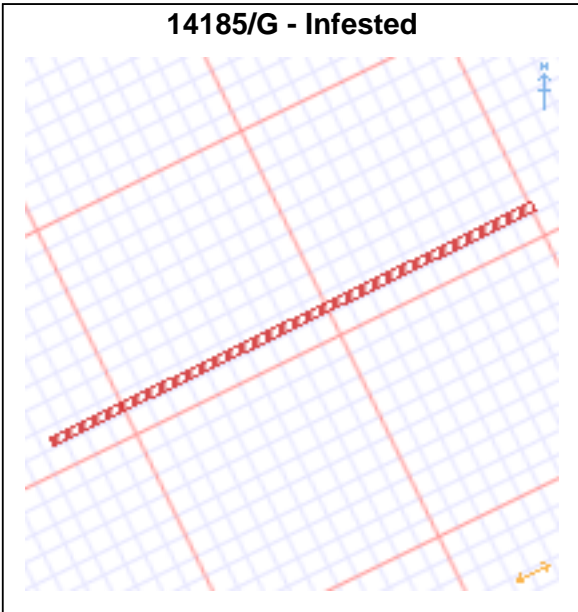
14185/E - Infested



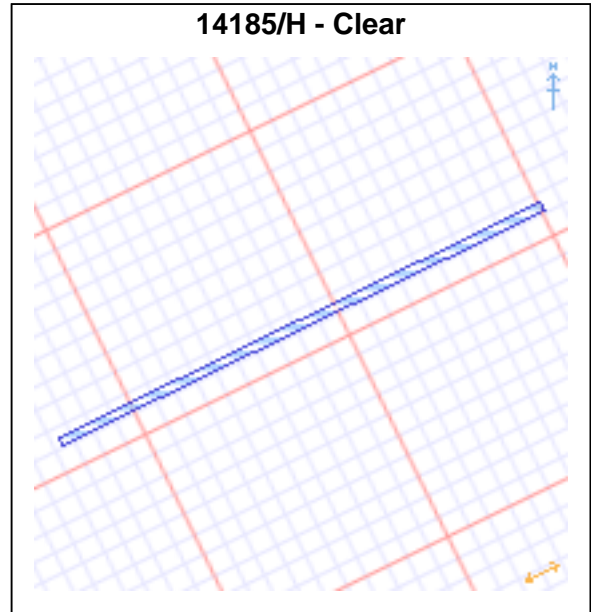
14185/F - Clear



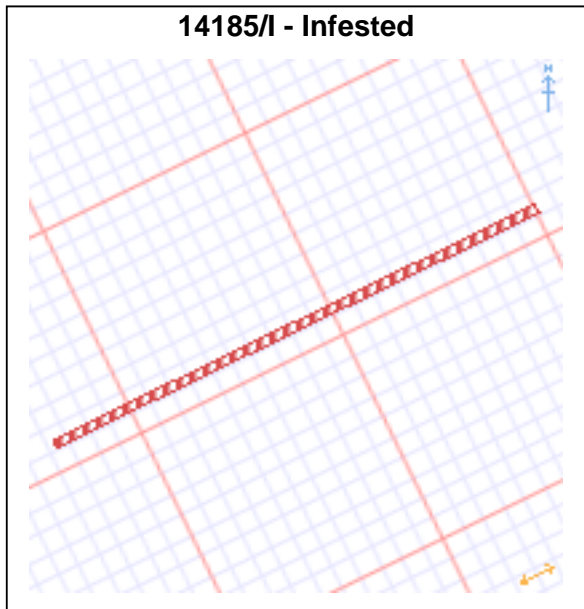
14185/G - Infested



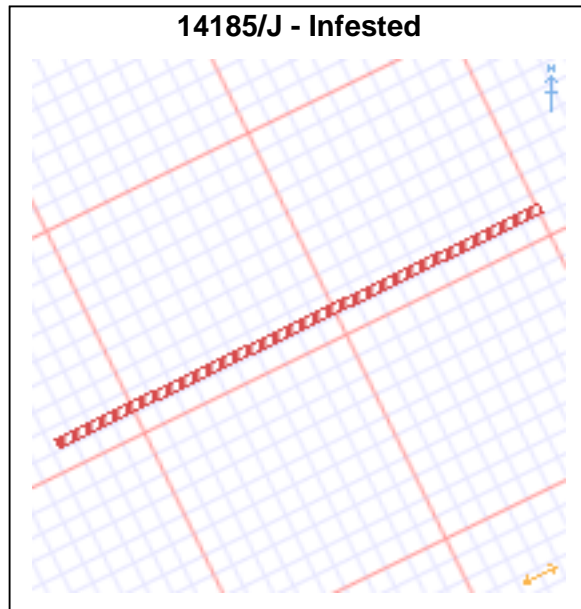
14185/H - Clear



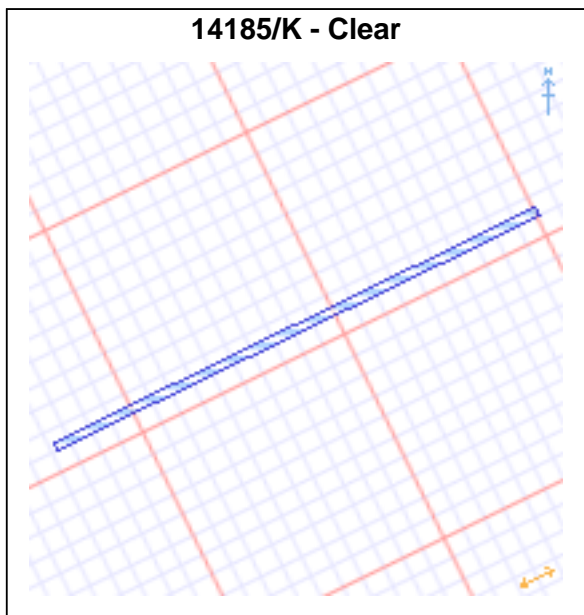
14185/I - Infested



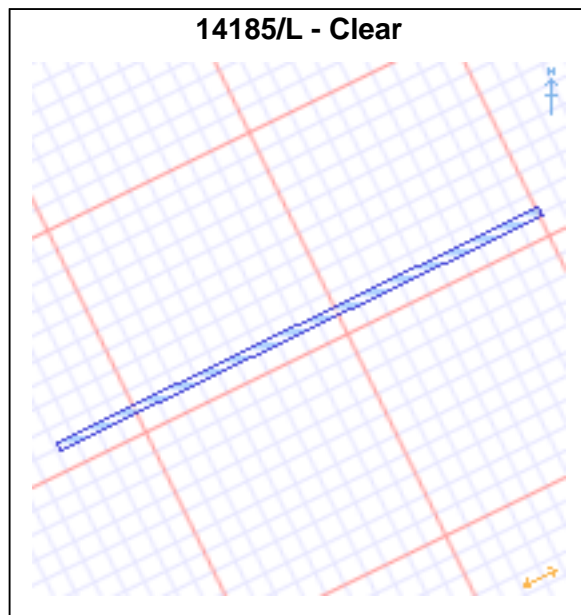
14185/J - Infested



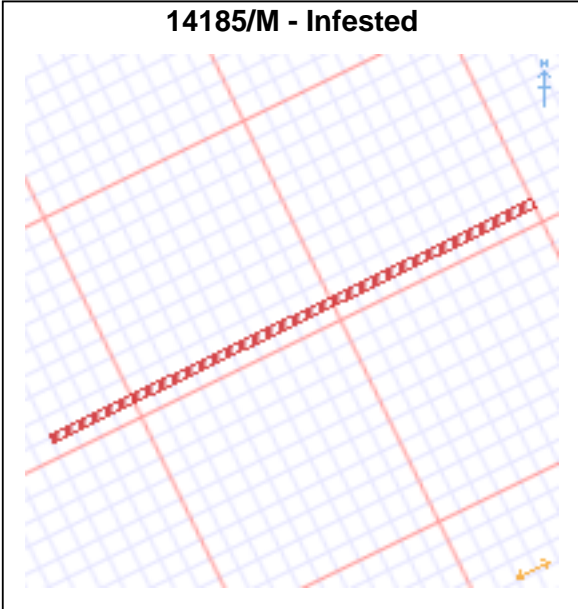
14185/K - Clear



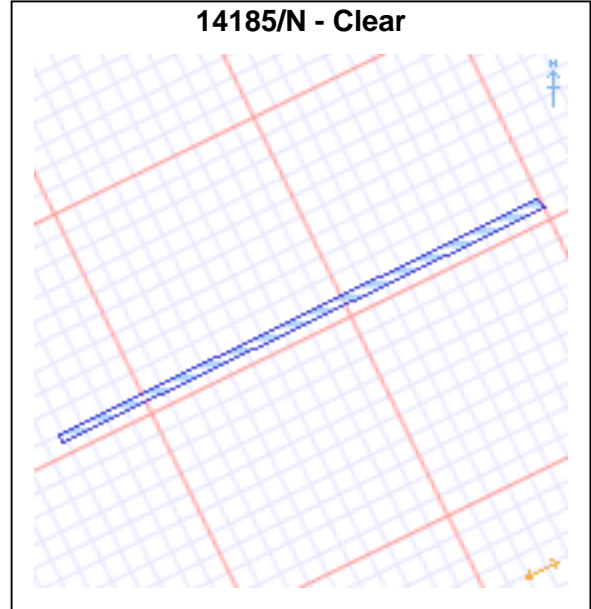
14185/L - Clear



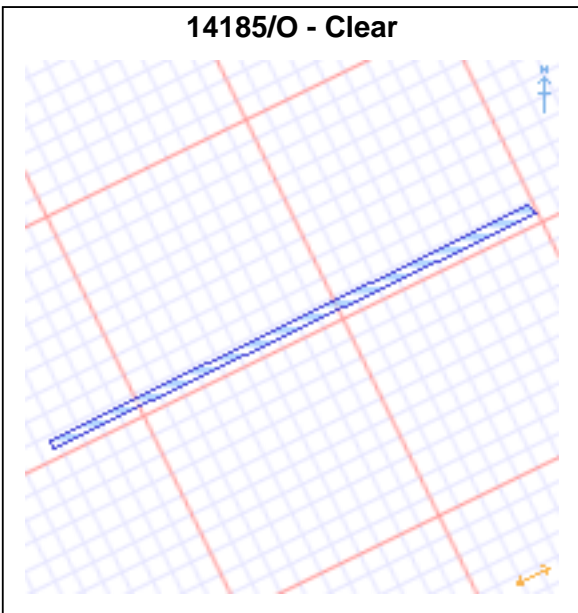
14185/M - Infested



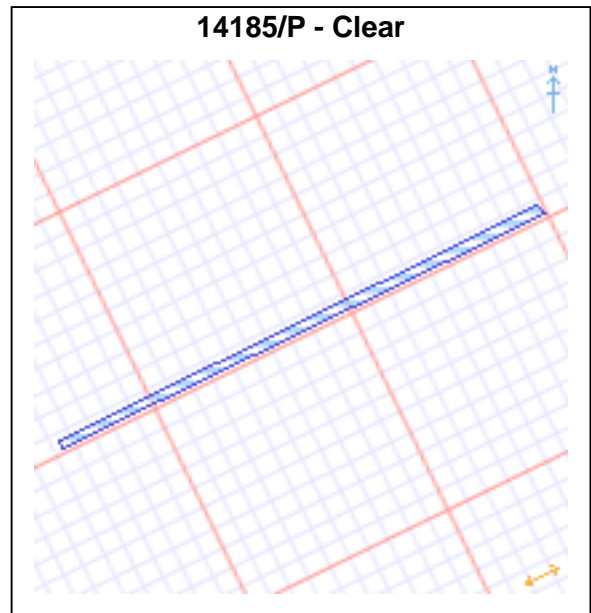
14185/N - Clear



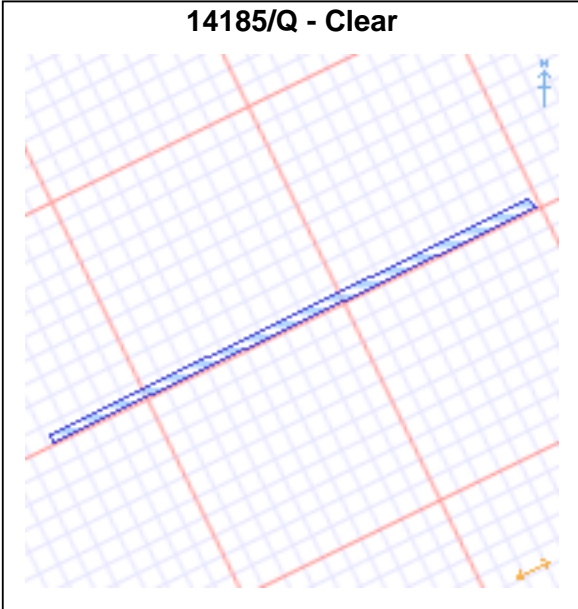
14185/O - Clear



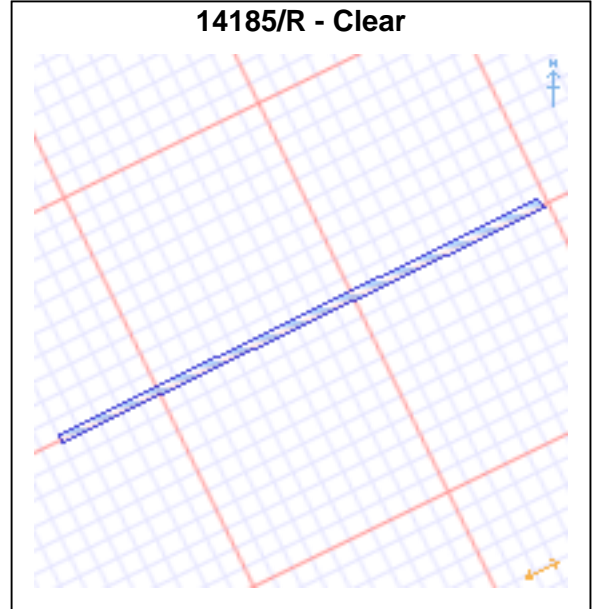
14185/P - Clear



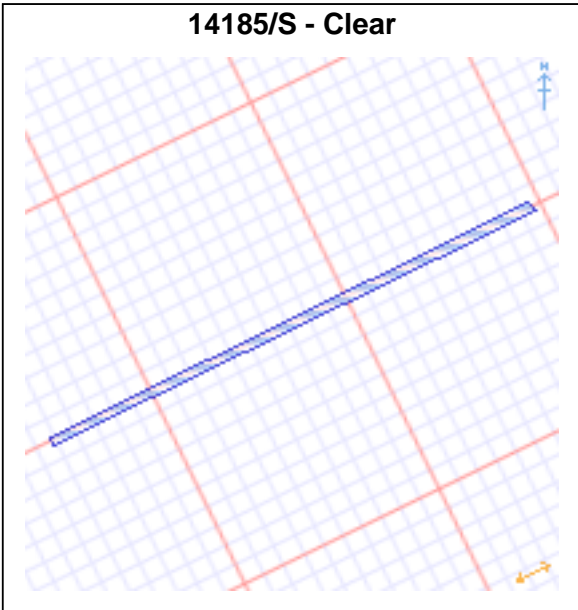
14185/Q - Clear



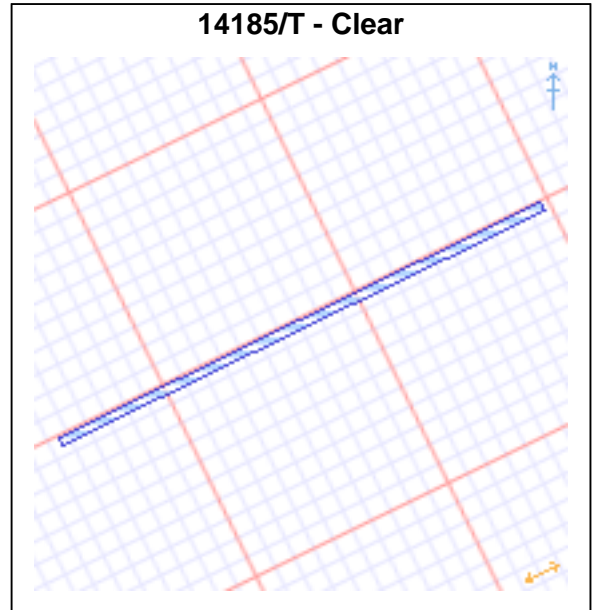
14185/R - Clear



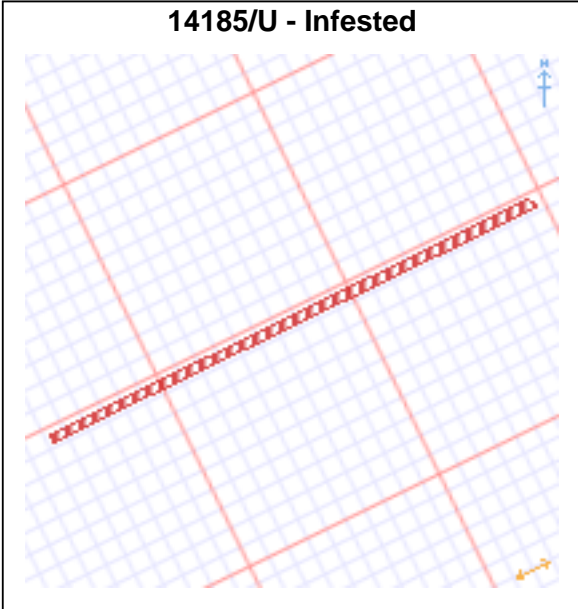
14185/S - Clear



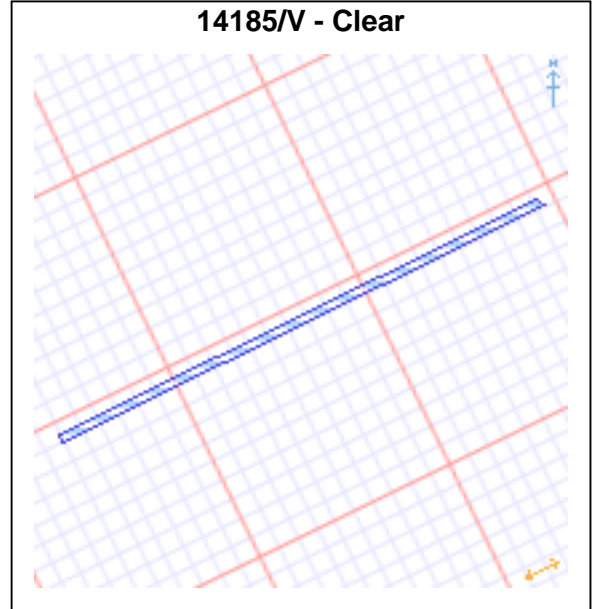
14185/T - Clear



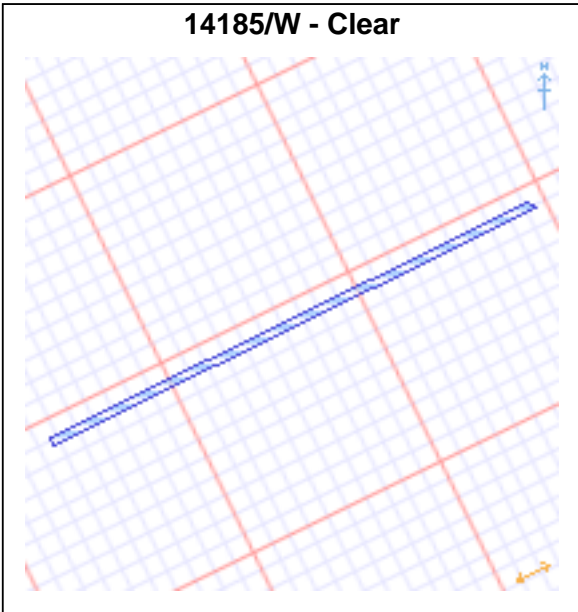
14185/U - Infested



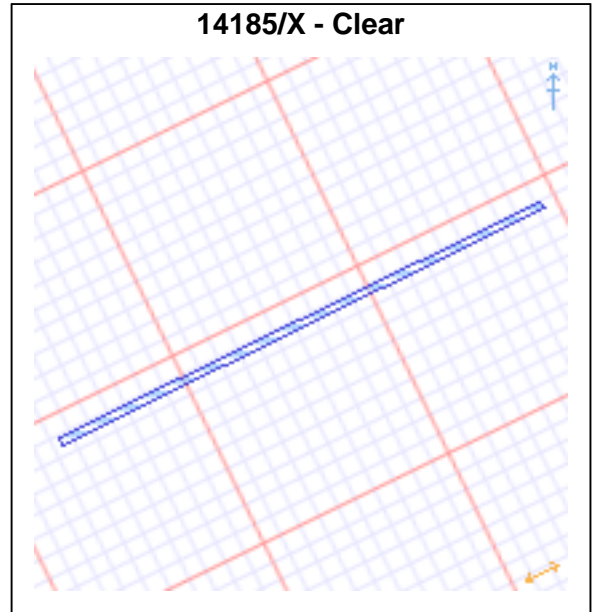
14185/V - Clear



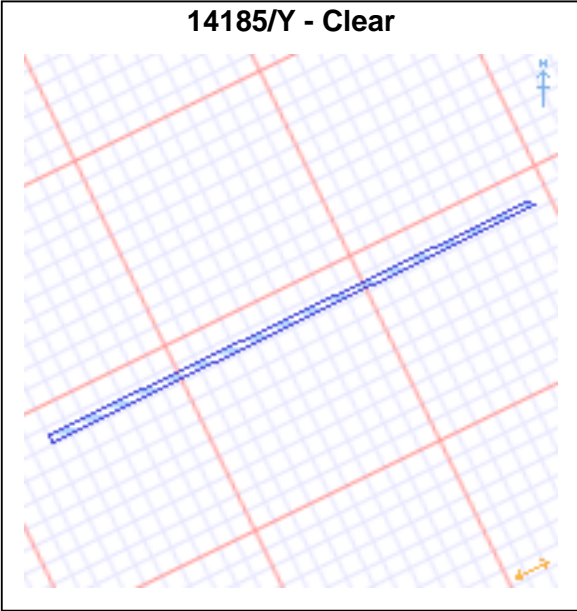
14185/W - Clear



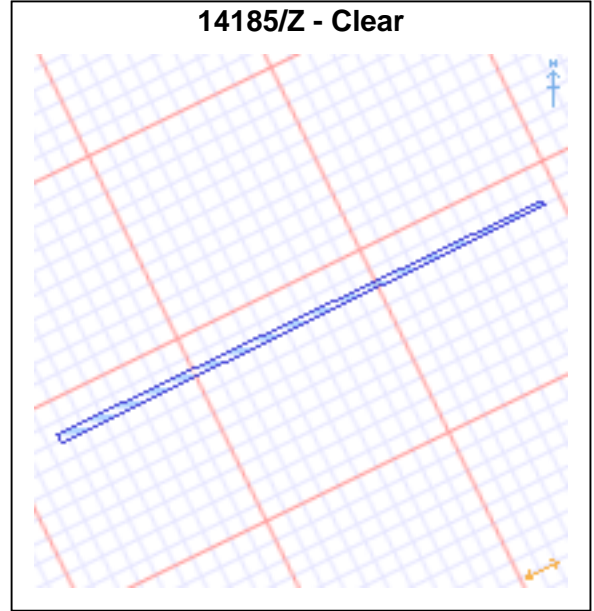
14185/X - Clear



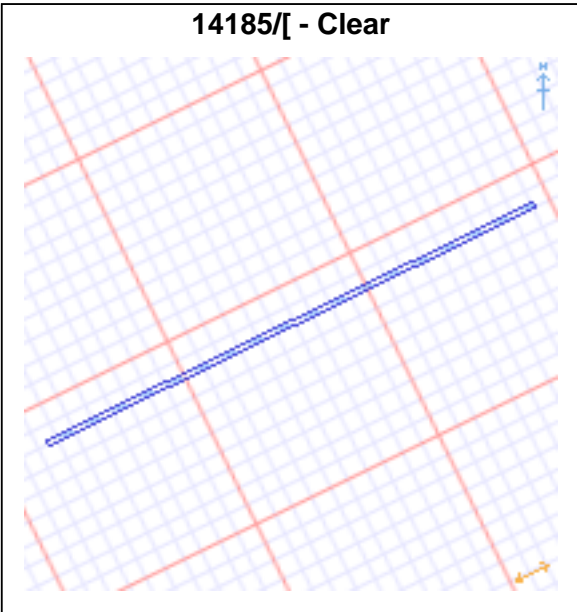
14185/Y - Clear



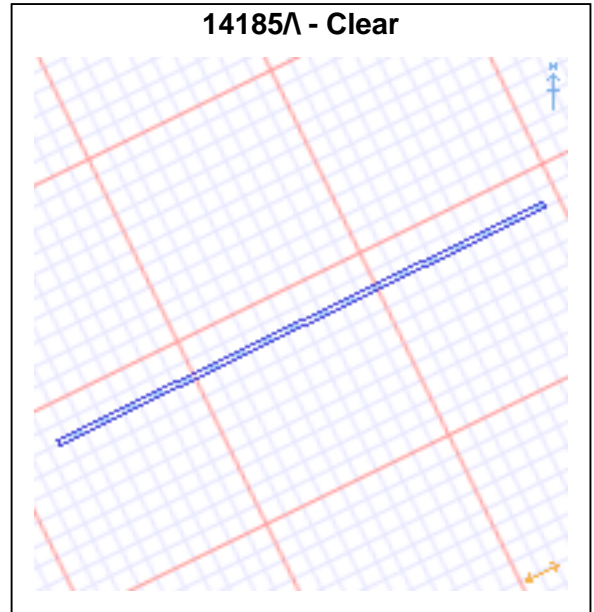
14185/Z - Clear



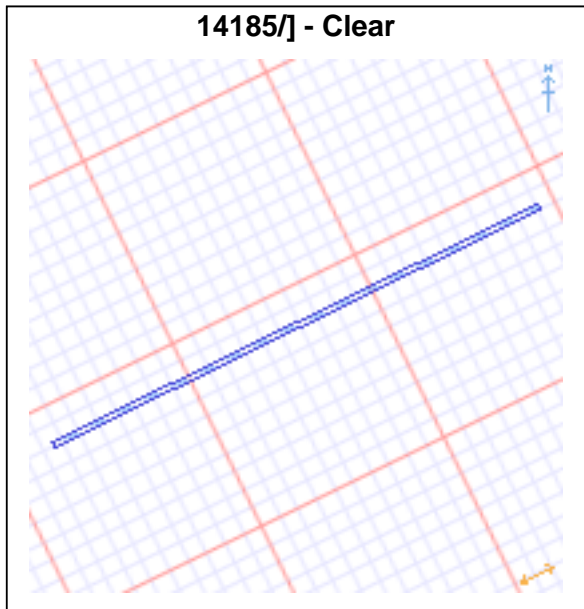
14185/[- Clear



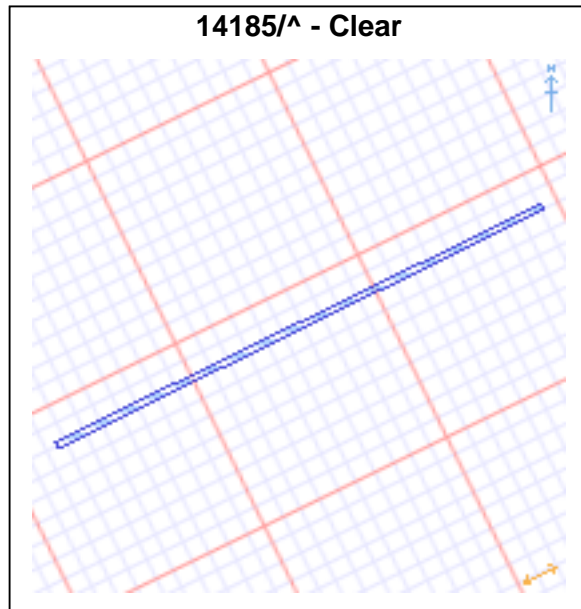
14185/\ - Clear



14185/] - Clear



14185/^ - Clear



15th June 2017

NOTICE

Served under paragraph 7(a) of Schedule 15 of the Plant Health (Scotland) Order 2005

LAND RECORDED AS INFESTED WITH POTATO CYST NEMATODE (PCN)

To: SASA

of: Roddinglaw Road, Edinburgh, EH12 9FJ

or other person occupying or in charge of the land referred to below.

In accordance with paragraph 7(a) of Schedule 15 to the Plant Health (Scotland) Order 2005, as amended by the Plant Health (Scotland) Amendment Order 2010, **I give you notice** that the sampling units described below and shown on the enclosed map are **officially recorded as infested with PCN**, following an official soil test, completed on 15/06/2017 in which PCN of the species *Globodera rostochiensis* was found in soil taken from the sampling units.

Farm code number:	558/0012	Field identification no.:	NT/17024/71492
Farm name:	GOGARGREEN	Sampled unit:	14185/A
		Sampled unit:	14185/C
		Sampled unit:	14185/D
		Sampled unit:	14185/E
		Sampled unit:	14185/G
		Sampled unit:	14185/I
		Sampled unit:	14185/J
		Sampled unit:	14185/M
		Sampled unit:	14185/U
		Area:	0.9 Ha

The following restrictions apply to the sampled unit(s) described above:

- no potatoes may be planted in the sampled unit;
- no plants listed in table A overleaf, intended for replanting, may be planted or stored in the sampled unit;
- no plants listed in table B overleaf, intended for replanting, may be planted in the sampling unit unless they are to be washed or brushed until practically free of soil so that there is, to the satisfaction of an inspector, no identifiable risk of PCN spreading; and
- no plants listed in table C overleaf may be planted in the sampled unit.

This Notice remains in force until revoked by a further Notice in writing.

Ware potatoes may only be grown in the land referred to above if authorised by an inspector by a further notice in writing.

Signature

(an inspector authorised by Scottish Ministers)
SASA, Roddinglaw Road, Edinburgh EH12 9FJ

Date: 15th June 2017

PLANTS SUBJECT TO RESTRICTIONS, IN ADDITION TO POTATOES

These tables reproduce those contained in Schedule 15A of the Plant Health (Scotland) Order 2005, inserted by Schedule 2 of the Plant Health (Scotland) Amendment Order 2010.

Table A

Host plants with roots:	<i>Capsicum</i> spp.,
	<i>Lycopersicon lycopersicum</i> (L.) Karsten ex Farw.,
	<i>Solanum melongena</i> L.

Table B

Other plants with roots:	<i>Allium porrum</i> L.,
	<i>Beta vulgaris</i> L.,
	<i>Brassica</i> spp.,
	<i>Fragaria</i> L.,
	<i>Asparagus officinalis</i> L.

Table C

Bulbs, tubers and rhizomes, not washed or brushed until practically free of soil so that there is no identifiable risk of Potato Cyst Nematode spreading, grown in soil and intended for planting, other than those for which there shall be evidence by their packaging or by other means that they are intended for sale to final consumers not involved in professional plant or cut flower production:	<i>Allium ascalonicum</i> L.,
	<i>Allium cepa</i> L.,
	<i>Dahlia</i> spp.,
	<i>Gladiolus</i> Tourn. Ex L.,
	<i>Hyacinthus</i> spp.,
	<i>Iris</i> spp.,
	<i>Lilium</i> spp.,
	<i>Narcissus</i> L.,
<i>Tulips</i> L.	

Growing ware potatoes on infested land

An inspector may authorise, by a further Notice in writing, the production of ware potatoes in the sampled unit, in accordance with the terms of the Official Control Programme guidance published by SASA in May 2010. A copy of this guidance is available at www.scotland.gov.uk/potatocystnematode and will be sent to you on request from SPCS Admin. Please contact your local Area Office to discuss your proposals.